

CEILING BATHROOM FANS

READY FOR CUSTOMIZATION



CBF Series

*Fresh air
in your house!*



fortt
fresh air reversible & transfer fans



CBF SERIES MAIN FEATURES



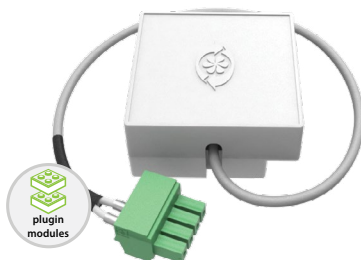
DC MOTOR TECHNOLOGY

- The CBF DC fan is equipped with a high-performance DC motor with outstanding energy efficiency and built-in overheating protection.
- The CBF fans feature reliable asynchronous dual-speed motors with overheating protection;
- The maintenance-free permanently lubricated motor bearings are engineered for over 40,000 hours of trouble-free operation.

LED LIGHT TECHNOLOGY

The CBF Light fans are equipped with an energy-efficient LED light:

- Power rating - 10 W
- Colour temperature - 3000 K
- Light flux - 650 lumens



HUMIDITY SENSOR

The modular design of the grille enables easy retrofitting with the optional humidity sensor.

If the indoor humidity exceeds the set humidity point adjustable from 50 % up to 90 %, the fan either turns on or goes to the higher speed.

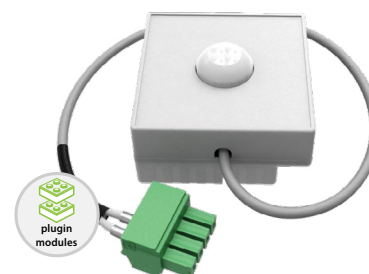
After indoor humidity drops down the fan keeps running for a set turn-off delay time, adjustable from 1 to 90 minutes and the reverts to the initial operation status.

MOTION SENSOR

The modular design of the grille enables easy retrofitting with the optional humidity sensor.

In case of activation of the motion sensor the fan turns on or switches to the higher speed.

After no motion is detected more the fan keeps running for a set turn-off delay time, adjustable from 1 to 90 minutes, and the reverts to the initial operation status.





SPEED SELECT TECHNOLOGY

The fan runs continuously at a pre-set lower level. Once the switch is turned on or a sensor is activated, the fan starts to run with the maximum capacity.

AIRFLOW ADJUST TECHNOLOGY

The constant air flow technology ensures the necessary CFM across a wide static pressure range.



SMART CONTROL TECHNOLOGY

The built-in controls allow you to set a fan to the needed CFM level, adjust the delay timer or humidity sensor set point. Simple plug modules give you the flexibility to choose your control separately. Humidity or motion sensors can be installed with a new fan or as an add-on later if needed.

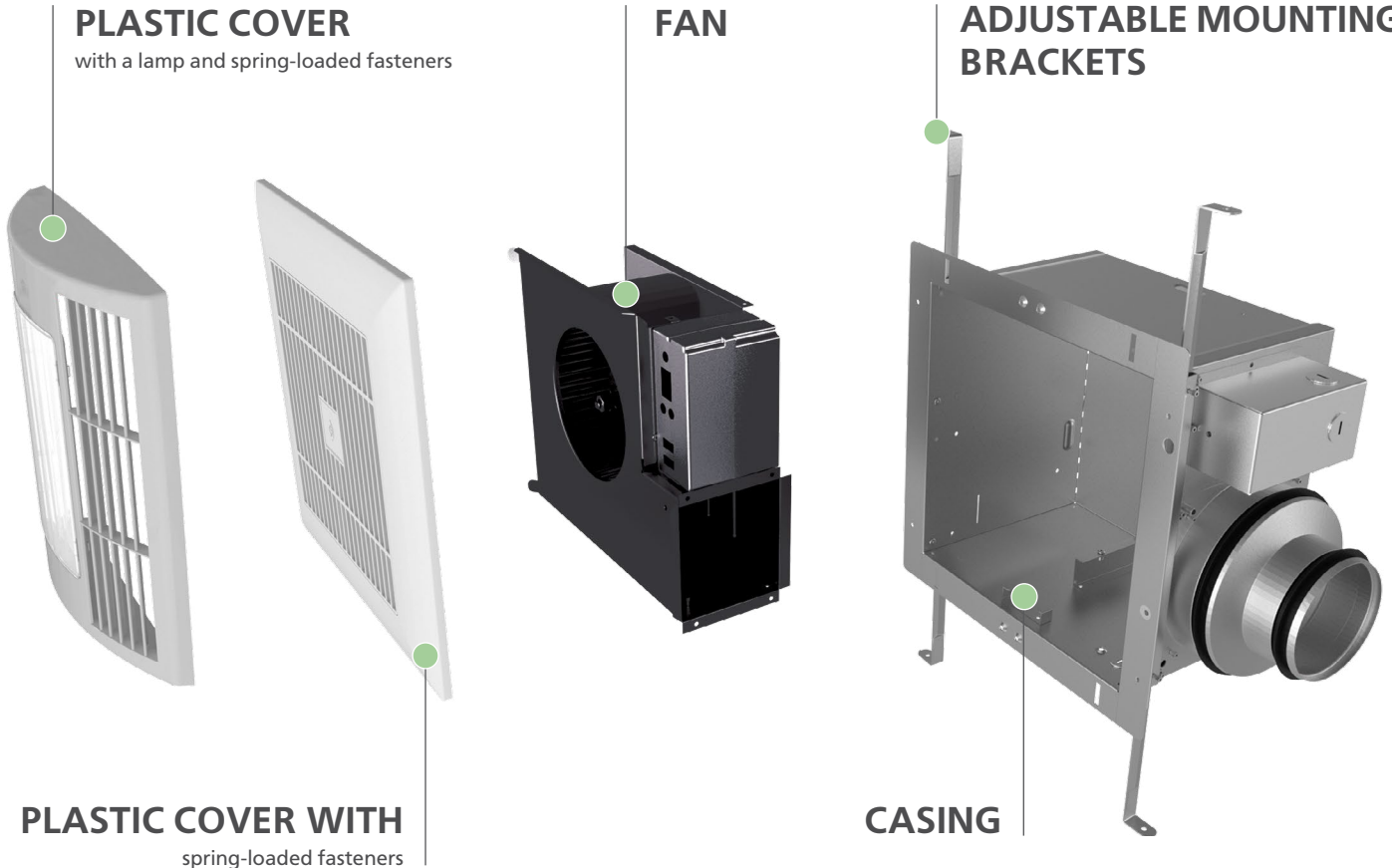
TIMER

After an external switch, e.g. a light switch is turned off, the fan is turned on or goes to high speed after countdown of a set turn-on delay time, adjustable from 0 to 3 minutes.

After the fan is turned off it keeps running for a set turn-off delay time, adjustable from 1 to 90 minutes and the reverts to the initial operation status.



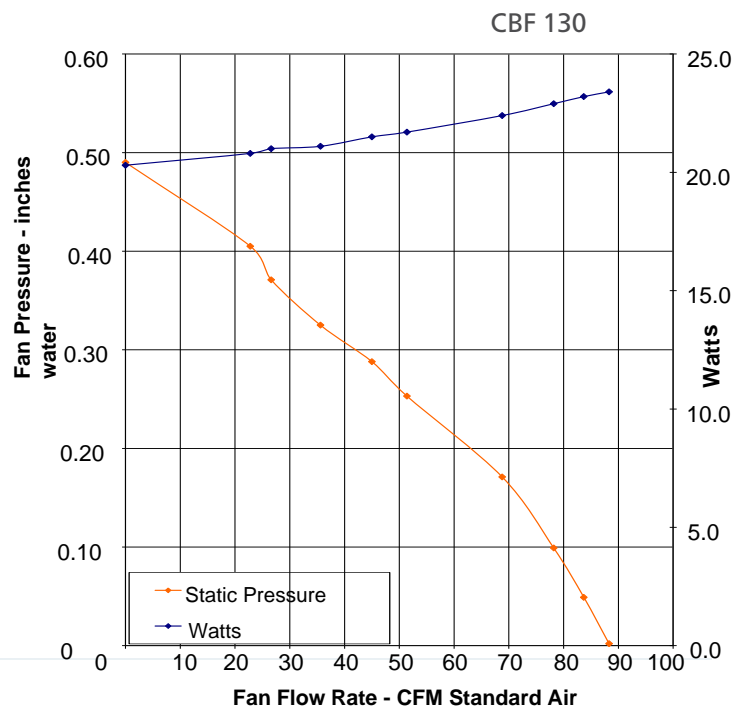
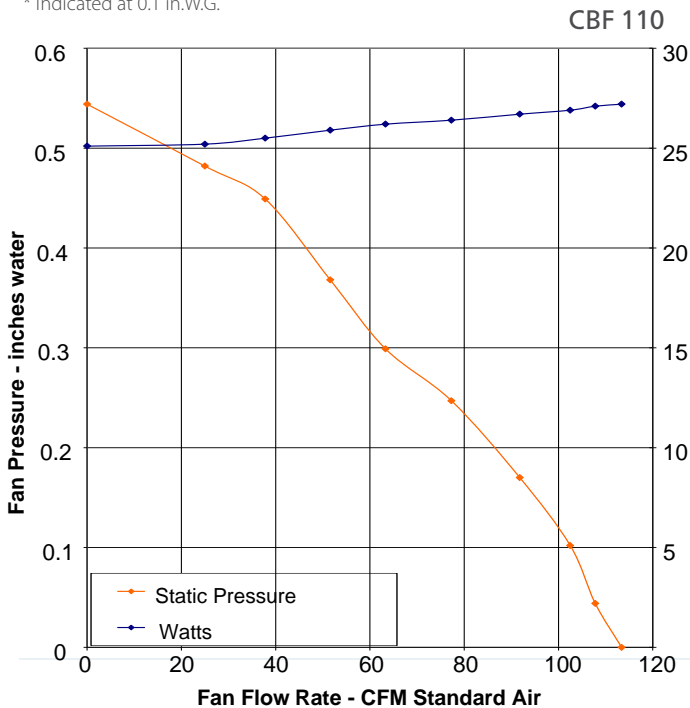
STRUCTURAL DIAGRAM / TECHNICAL DATA /



AC MOTOR CHARACTERISTIC

Model	SEC class	Duct Dia	Speed	Energy Star qualified	Watts*	Amps*	RPM*	Sones*	CFM vs. Static Pressure in.W.G.							Max. Ps	Volts / Hz
									0"	0.1"	0.2"	0.25"	0.3"	0.4"	0.5"		
CBF 110	C	4" / 6"	HS	V	27	0.23	1000	1.8	113	103	90	77	63	52	18	0.58	120 / 60
			LS		16	0.17	800	0.7	70	55	37	30	16	-	-	0.38	
CBF 130	C	4" / 6"	HS	V	35	0.3	1100	2.4	130	120	108	101	85	62	35	0.6	120 / 60
			LS		23	0.2	840	1.1	88	78	60	51	40	23	-	0.47	

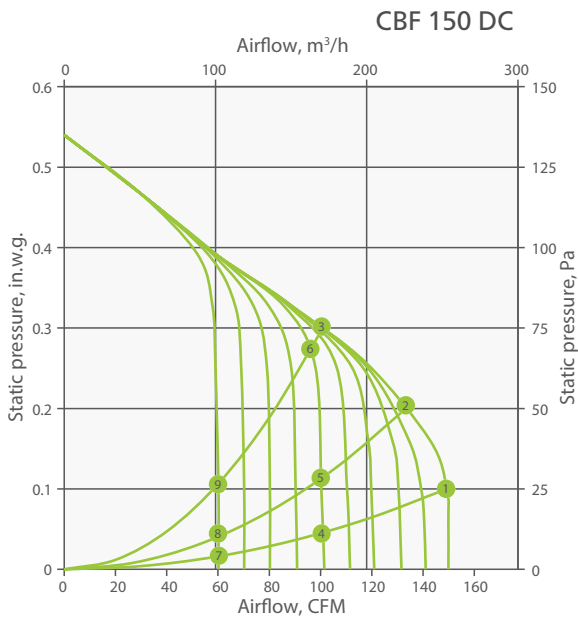
* Indicated at 0.1 in.W.G.



DC MOTOR CHARACTERISTIC

CBF 150 DC

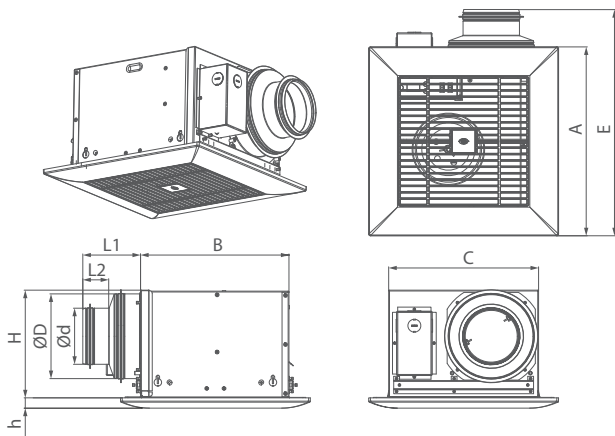
Static Pressure [in.W.G.]	0.1"	0.25"	0.1"	0.25"	0.1"	0.25"	0.1"	0.25"	0.1"	0.25"	0.1"	0.25"	0.1"	0.25"	0.1"	0.25"	0.1"	0.25"	0.1"	0.25"
Air Volume [CFM]	150	120	140	118	130	117	120	112	110	106	100	98	90	88	80	79	70	69	60	59
Power consumption [W]	23	19	21	19	20	19	20	19	17	18	14	17	11	16	11	15	11	13	5	9
Energy efficiency [CFM/W]	6.5	6.3	6.7	6.2	6.5	6.2	6.0	5.9	6.5	5.9	7.1	5.8	8.2	5.5	7.3	5.3	6.4	5.3	12.0	6.6
Speed [rpm]	1100	1200	1067	1193	1033	1190	1000	1174	967	1154	933	1128	900	1095	867	1066	833	1033	800	1000
Max current [Amps]	0.4																			
Power rating [V/Hz]	120 / 60																			
SEC class	C																			
Energy Star qualified	V																			
Max sones - 1.8																				
Min sones - 1.2																				



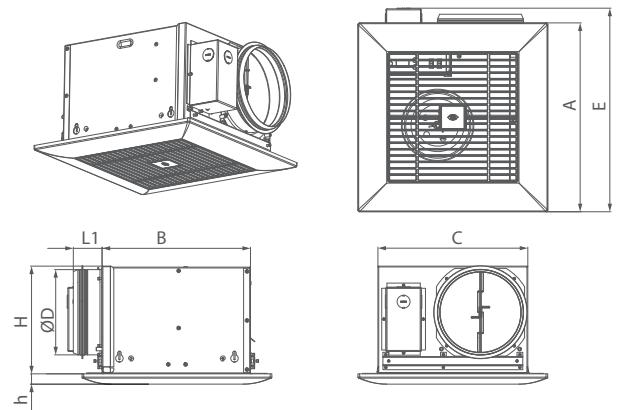
DIMENSIONS

Model	Dimensions [in]											
	D	d	L1	L2	A	B	C	E	H	h	a	b
CBF 110/130	5 ⁵³ / 64"	3 ⁵⁵ / 64"	3 ¹⁵ / 16"	1 ⁴⁹ / 64"	12 ⁶³ / 64"	10 ⁵ / 32"	10 ¹⁵ / 64"	15 ³⁵ / 64"	7 ¹³ / 32"	4 ⁵ / 64"	–	–
CBF 150 DC	5 ⁵⁵ / 64"	–	1 ³¹ / 32"	–	12 ⁶³ / 64"	10 ⁵ / 32"	10 ¹⁵ / 64"	15 ³⁵ / 64"	7 ¹³ / 32"	4 ⁵ / 64"	–	–
CBF 110/130 Light	5 ⁵³ / 64"	3 ⁵⁵ / 64"	3 ¹⁵ / 16"	1 ⁴⁹ / 64"	12 ⁶³ / 64"	10 ⁵ / 32"	10 ¹⁵ / 64"	15 ³⁵ / 64"	7 ¹³ / 32"	2 ⁷ / 16"	8 ³ / 16"	4 ²⁷ / 32"
CBF 150 DC Light	5 ⁵⁵ / 64"	–	1 ³¹ / 32"	–	12 ⁶³ / 64"	10 ⁵ / 32"	10 ¹⁵ / 64"	15 ³⁵ / 64"	7 ¹³ / 32"	2 ⁷ / 16"	8 ³ / 16"	4 ²⁷ / 32"

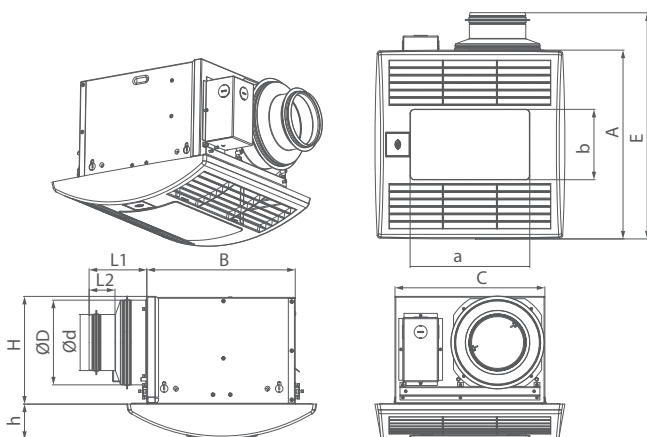
CBF 110/130



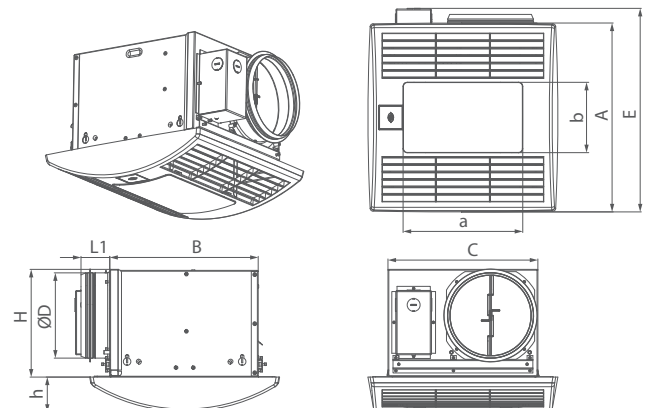
CBF 150 DC



CBF 110/130 Light



CBF 150 DC Light



FAN SELECTOR

Model	Airflow CFM	Speed Select Technology	DC Motor Technology	Airflow Adjust Technology	LED Light Technology	Smart Control Technology	Timer	Humidity Sensor	Motion sensor
FARTF CBF 110	65 110	•	○	○	○	○	○	○	○
FARTF CBF 130	80 130	•	○	○	○	○	○	○	○
FARTF CBF 150	110 150	•	○	○	○	○	○	○	○
FARTF CBF 110 T	65 110	•	○	○	○	•	•	○	○
FARTF CBF 130 T	80 130	•	○	○	○	•	•	○	○
FARTF CBF 150 T	110 150	•	○	○	○	•	•	○	○
FARTF CBF 110 TH	65 110	•	○	○	○	•	•	•	○
FARTF CBF 130 TH	80 130	•	○	○	○	•	•	•	○
FARTF CBF 150 TH	110 150	•	○	○	○	•	•	•	○
FARTF CBF 110 TP	65 110	•	○	○	○	•	•	○	•
FARTF CBF 130 TP	80 130	•	○	○	○	•	•	○	•
FARTF CBF 150 TP	110 150	•	○	○	○	•	•	○	•
FARTF CBF 110 Light	65 110	•	○	○	•	○	○	○	○
FARTF CBF 130 Light	80 130	•	○	○	•	○	○	○	○
FARTF CBF 150 Light	110 150	•	○	○	•	○	○	○	○
FARTF CBF 110 Light T	65 110	•	○	○	•	•	•	○	○
FARTF CBF 130 Light T	80 130	•	○	○	•	•	•	○	○
FARTF CBF 150 Light T	110 150	•	○	○	•	•	•	○	○
FARTF CBF 110 Light TH	65 110	•	○	○	•	•	•	•	○
FARTF CBF 130 Light TH	80 130	•	○	○	•	•	•	•	○
FARTF CBF 150 Light TH	110 150	•	○	○	•	•	•	•	○
FARTF CBF 110 Light TP	65 110	•	○	○	•	•	•	○	•
FARTF CBF 130 Light TP	80 130	•	○	○	•	•	•	○	•
FARTF CBF 150 Light TP	110 150	•	○	○	•	•	•	○	•
FARTF CBF 110 DC	60 to 110	○	•	•	○	•	•	○	○
FARTF CBF 150 DC	60 to 150	○	•	•	○	•	•	○	○
FARTF CBF 110 DC TH	60 to 110	○	•	•	○	•	•	•	○
FARTF CBF 150 DC TH	60 to 150	○	•	•	○	•	•	•	○
FARTF CBF 110 DC TP	60 to 110	○	•	•	○	•	•	○	•
FARTF CBF 150 DC TP	60 to 150	○	•	•	○	•	•	○	•
FARTF CBF 110 DC Light	60 to 110	○	•	•	•	•	•	○	○
FARTF CBF 150 DC Light	60 to 150	○	•	•	•	•	•	○	○
FARTF CBF 110 DC Light TH	60 to 110	○	•	•	•	•	•	•	○
FARTF CBF 150 DC Light TH	60 to 150	○	•	•	•	•	•	•	○
FARTF CBF 110 DC Light TP	60 to 110	○	•	•	•	•	•	○	•
FARTF CBF 150 DC Light TP	60 to 150	○	•	•	•	•	•	○	•

• - included ; ○ - not included.

ACCESSORIES

Name	Image	Description	CBF 110 DC	CBF 150 DC	CBF 110 CBF 130	CBF 150	CBF 110 T CBF 130 T	CBF 150 T
TH CBF		Humidity sensor	●	●	○	○	●	●
TP CBF		Motion sensor	●	●	○	○	●	●
MVM 102 bVs N		Ø100 mm stainless steel outer ventilation hood	●	○	●	○	●	○
MVM 152 bVs N		Ø150 mm stainless steel outer ventilation hood	●	●	●	●	●	●
MV 102 V ASA		Ø100 mm ASA plastic outer ventilation hood	●	○	●	○	●	○
MV 152 V ASA		Ø150 mm ASA plastic outer ventilation hood	●	●	●	●	●	●
CB 100		Ø90-110 mm quick detachable stainless steel clamp	●	○	●	○	●	○
CB 150		Ø140-160 mm quick detachable stainless steel clamp	●	●	●	●	●	●
CH-PLC-10WG23*		10 W LED lamp with color temperature 3000 K	●	●	●	●	●	●

* Only for the Light modification

Contacts

3505 Cadillac Drive, Building O, Suite 206
Costa Mesa, CA 92626

www.fartf.com

FARTF reserves the rights to modify any of its products features, designs, components, and specifications at any time and without notice to maintain the development and quality of manufactured goods.