

## VK Series

**For High Static Pressure Application**

# INLINE CENTRIFUGAL FANS



The FARTF VK Series duct mounted centrifugal inline fans are suitable for a wide range of residential and commercial exhaust or supply air applications, such as bathrooms, kitchens, restaurants or equipment cooling.

The FARTF VK inline fans assure efficient and reliable operation. The fans are fitted with backward curved centrifugal impeller driven by powerful sealed external rotor motor with lifelong bearings and thermal protection. This powerful combination enables the FARTF VK fans to deliver exceptional airflow performances even in high static pressure systems. The fans' casing is made of high quality, UV-resistant plastic (flame rating – 5VA). The FARTF VK fans are specially designed for simple installation and years of maintenance free operation. The FARTF VK fans are supplied with an easy to fit mounting bracket and can be mounted at any angle and at any point along the duct.

### Applications

- Bathroom exhaust
- Kitchen ventilation
- Living area
- Whole house ventilation
- Duct boosting
- Workshops & smoking areas

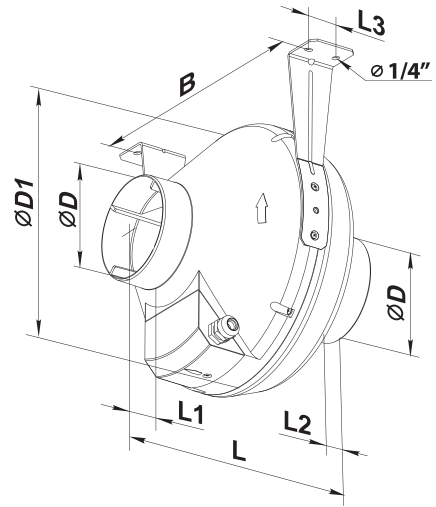
### Benefits

- Sizes available from 5 7/8 - 9 13/16"
- High static pressure applications
- Backward curved centrifugal impeller
- Quiet external rotor motor with thermal overload protection
- Ideal for long duct runs
- Quiet and powerful
- Vibration free operation
- Energy efficient
- Maintenance free
- Easy installation
- Corrosion resistant
- UV resistant, UL94 certified plastic
- Pre-wired and supplied with mounting bracket for easy installation
- ETL listed



## Dimensions

Model	Measurements [in.]							lbs
	ØD	ØD1	B	L	L1	L2	L3	
VK 150	5 7/8"	11 13/16"	12 3/16"	11 1/4"	1 3/16"	1 3/16"	1 3/16"	5.7
VK 200	7 7/8"	13 3/8"	13 15/16"	10 7/8"	1 3/16"	1 3/16"	1 9/16"	8.8
VK 250	9 13/16"	13 3/8"	13 15/16"	10 7/16"	1 3/16"	1 3/16"	1 9/16"	9.9



## Performance

Model	Duct dia	Sones	RPM*	Watts*	CFM vs. Static Pressure (Ps) in WG										Volt / Hz
					0"	0.125"	0.2"	0.25"	0.375"	0.5"	0.75"	1.0"	1.25"	1.5"	
VK 150	6"	7.2	2907	113	317	300	289	282	265	247	212	178	132	68	120 / 60
VK 200	8"	8.1	3016	140	507	481	465	455	423	395	343	287	238	189	120 / 60
VK 250	10"	10.2	2604	293	735	699	675	658	625	558	507	432	369	307	120 / 60

\* The parameters RPM, Watts are indicated at 0.2 in WG static pressure.

## Specification

Voltage: 120 V, 60 Hz

Motor: Single-phase external rotor motor with backward curved centrifugal impellers

Duct compatibility: Ø 6", 8", 10"

Airflow capacity: up to 735 CFM

Sones: 7.2 – 10.2

Power consumption: 106 – 293 W

Suitable for working airstreams up to 149 °F

IPX4 protection

Thermal overload protection

Mounting bracket and power cord included

Five year warranty

## Contacts

3505 Cadillac Drive, Building O, Suite 206  
Costa Mesa, CA 92626

[www.fartf.com](http://www.fartf.com)

FARTF reserves the rights to modify any of its products features, designs, components, and specifications at any time and without notice to maintain the development and quality of manufactured goods.

